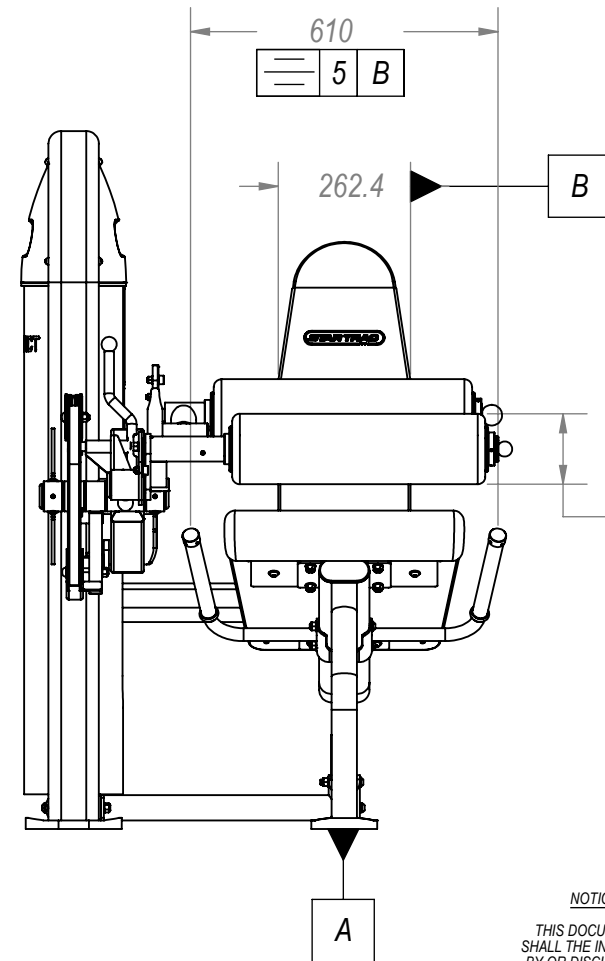
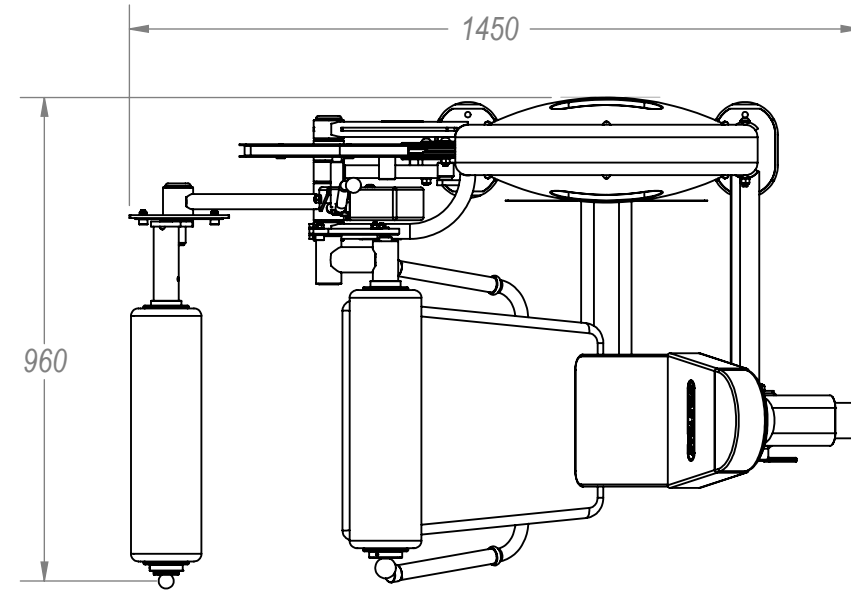
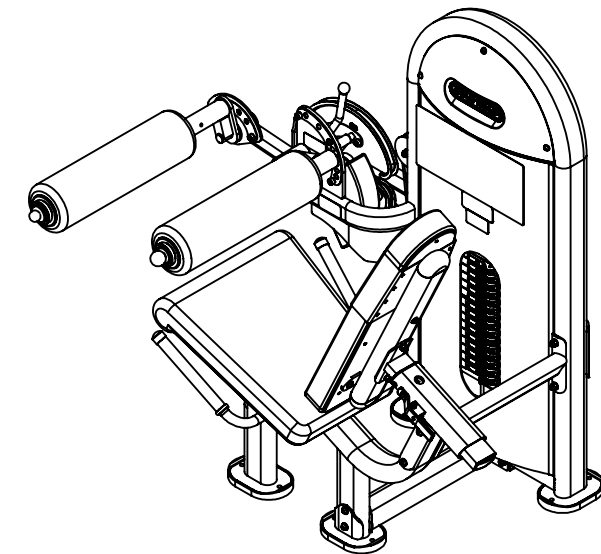
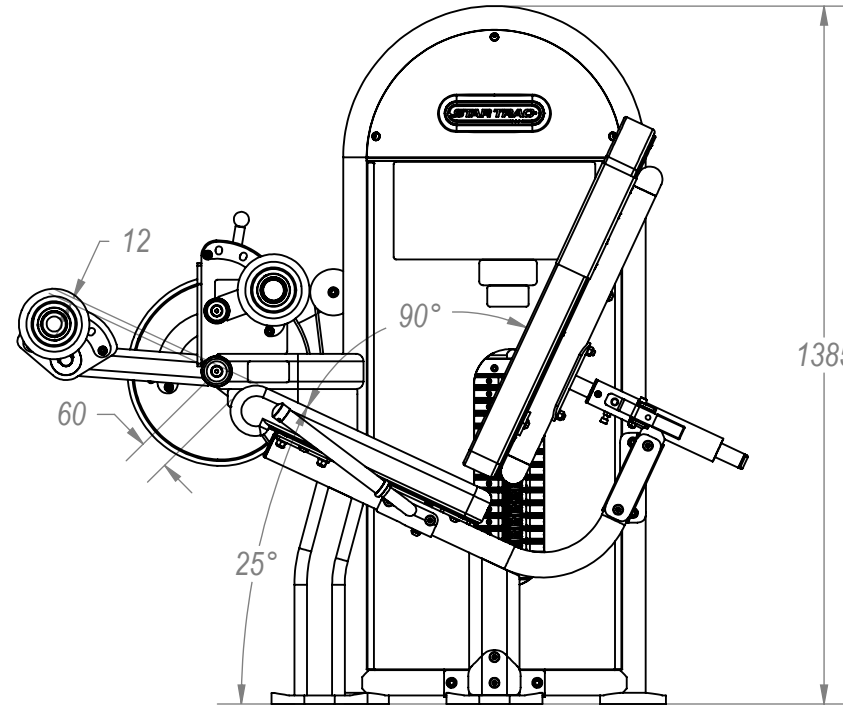


REVISION HISTORY				
REV	DATE	DESCRIPTION	ECO	BY
A	06-25-08	PRODUCTION RELEASE	11956	AK
B	06-23-10	BELT CHANGE WITH CABLE, UPDATE 3D MODEL & P/N	13343	TZ



Ø 140
// 2 A



NOTICE OF PROPRIETARY INFORMATION
THIS DOCUMENT SHALL NOT BE REPRODUCED NOR SHALL THE INFORMATION CONTAINED HEREIN BE USED BY OR DISCLOSED TO OTHER EXCEPT AS EXPRESSLY AUTHORIZED BY UNISEN INC, D.B.A. STAR TRAC.

DOCUMENT STATUS:

CLASS OF WORK	UNLESS OTHERWISE SPECIFIED DIMS ARE IN mm. TOLERANCES FOR MEASURE OF LENGTH ARE:							ANGLES = ±2°	MATERIAL SEE BOM
	0.5 to 3	> 3 to 6	> 6 to 30	> 30 to 120	> 120 to 400	> 400 to 1000	> 1000 to 2000		
FINE	±0.05	±0.05	±0.1	±0.15	±0.2	±0.3	±0.5	----	
MEDIUM X	±0.1	±0.1	±0.2	±0.3	±0.5	±0.8	±1.2	±2	
COARSE	±0.2	±0.3	±0.5	±0.8	±1.2	±2	±3	±4	
VERY COARSE	----	±0.5	±1	±1.5	±2.5	±4	±6	±8	

FINISH
FRAME COLOR: STAR TRAC SILVER (HP FULLER) UPHOLSTERY
COLOR: STAR TRAC GREY (SLATE)
VENDOR: **IMPULSE** P/N: IL-D1014C

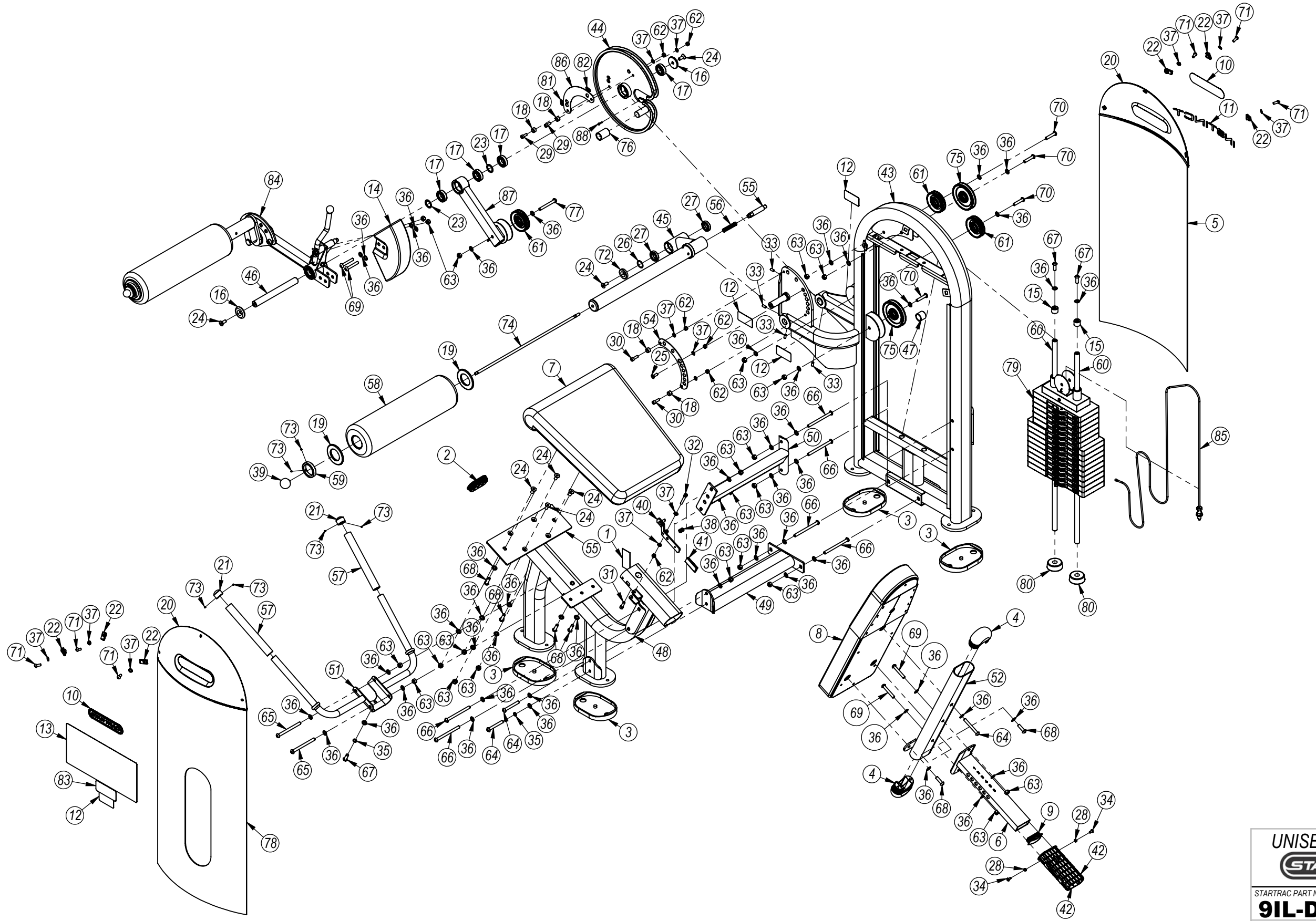
THIRD ANGLE PROJECTION		
DRAWN	INITIAL	DATE
CHECKED	TZ	01/03/10
APPROVED		
	U.O.M.	MM

UNISEN, INC. DBA **STAR TRAC** 14410 Myford Road
Irvine CA 92606

STARTRAC PART NO. **9IL-D1014-13BSS** REV **B**

TITLE **IL,DSS,LEG EXT/CURL,SIDE,LNL**

SCALE: 1:15 | SHEET 1 OF 2 | SHEET SIZE: B



ITEM NO.	PART NUMBER	DESCRIPTION	QTY.
1	050-2125-02	LABEL, SERIAL, NO. INSTINCT	1
2	730-0190	CAP, FLAT, ELLIPSE, TUBE, 100X50	1
3	730-0216	PAD, FEET, BASE, IN-87503	4
4	730-0223	CAP, LARGE, FRAME	2
5	730-0233	SHROUD, REAR, WGT STKLP	1
6	730-0244	WELDMENT, SEAT POST	1
7	730-0245	PAD, SEAT, IN-S1011	1
8	730-0246	PAD, BACK, REST, IN-S2100	1
9	730-0247	CAP, ROUND, SQUARE, TUBE, 70X30	1
10	730-0383	STICKER, STAR TRAC, DECO, 196X45MM	2
11	730-0384	LOGO, INSTINCT	1
12	730-0385	STICKER, CAUTION, PINCH POINT	4
13	730-0390	PLACARD, INSTRUCTION, IN-D1014C	1
14	730-0548	BLOCK, COUNTERBALANCE, IN-S5110	1
15	730-0555	CAP, RUBBER, ROD GUIDE, WT STK	2
16	730-0556	CAP, 50MM OD	2
17	730-0673	BEARING, OD 47, ID 25, THK 12	4
18	730-0679	STOPPER, OD 17MM, HGH 10.5MM	4
19	730-0681	PLUG, KNEE, PAD, 90X51	2
20	730-0702	SHROUD, TOP, LP	2
21	730-0704	CAP, OUTSIDE, GRIP, 25MM AL	2
22	730-0845	SPEED NUT, U-STYLE, CLIP-ON, NUT, M8	6
23	730-0859	RETAINING RING, 25MM ID, 32MM OD	2
24	730-0870	SCREW, M10X1.5, 25MM, FHMS, HE, SS	7
25	730-0874	SCREW, M8X25, FHMS, SS	1
26	730-0877	RETAINING RING, 25MM ID, 32MM OD	1
27	730-0881	BEARING, ID 25MM, OD 42MM, THK 9MM	2
28	730-0885	NUT, M6, JAM, HEX, SS	2
29	730-0889	SCREW, M8X1.25, 20MM, SHCS, HE, SS	2
30	730-0890	SCREW, M8X1.25, 25MM, SHCS, HE, SS	2
31	730-0891	SCREW, M8X1.25, 30MM, SHCS, HE, SS	1
32	730-0892	SCREW, M8X1.25, 55MM, SHCS, HE, SS	1
33	730-0896	SCREW, M8X1.0, 12MM, SET, EPS, HE, SS	4
34	730-0899	SCREW, M8X1.0, 12MM, PHMS, SS	2
35	730-0907	WASHER, M10, SPLIT, LOCK	2
36	730-0908	WASHER, PLAIN, M10, SS	51
37	730-0910	WASHER, PLAIN, M8, SS	13
38	730-0911	SPRING, COMPRESSION, ADJ, HDL	1
39	730-0924	ASSY, BAR BALL, END, CAP, Ø 30	1
40	730-0930	WELD, HANDLE, EXTENSION, ADJ	1
41	730-0935	GRIP, SQUARE, ADJ, HANDLE	1
42	730-0936	ASSY, TUBE, INSERT, SLEEVE	2
43	730-0977	WEIGHT, STACK, FRAME, IN-D1014C	1
44	730-0979	ROTARY CAM, FRAME, IN-D1014C	1
45	730-0983	ASSY, PIVOT, KNEE, BRACKET	1
46	730-1022	SHAFT, M25X192	1
47	730-1023	BUMPER, SLEEVE, M32X28	1
48	730-1041	ASSY, MAIN, FRAME	1
49	730-1042	CROSSBEAM, LOWER, FRAME	1
50	730-1043	CROSSBEAM, UPPER, FRAME	1
51	730-1044	ASSY, SEAT, HANDLE, FRAME	1
52	730-1045	UPHOLSTERY, BACK, PAD, BRACKET	1
53	730-1046	PLATE, SEAT, PAD, SUPPORT	1
54	730-1047	STOPPER, ROM, PLATE	1
55	730-1051	ADJUSTMENT, KNOB, LOCK, PIN	1
56	730-1053	ADJUSTMENT, KNOB, SPRING	1
57	730-1054	FRAME, SEAT, HANDLE, PVC, SLEEVE, GRIP	2
58	730-1055	PAD, KNEE, IN-S1011	1
59	730-1057	LOCKING RING, 50MM ID, 65MM OD	1
60	730-1078	GUIDE, ROD, Ø19MMX355MM	2
61	730-1098	PULLEY, ASSY, CABLE, DIA 8MM	3
62	730-1103	NUT, M18X1.25, NYLOC, SS	6
63	730-1104	NUT, M10X1.5, NYLOC, SS	22
64	730-1109	SCREW, M10X1.5, 80MM, BHC, HE, SS	3
65	730-1111	SCREW, M10X1.5, 125MM, BHC, HE, SS	2
66	730-1112	SCREW, M10X1.5, 130MM, BHC, HE, SS	6
67	730-1118	SCREW, M10X1.5, 30MM, BHC, HE, SS	3
68	730-1119	SCREW, M10X1.5, 35MM, BHC, HE, SS	6
69	730-1122	SCREW, M10X1.5, 63MM, BHC, HE, SS	4
70	730-1131	SCREW, M10X50, BHC, SS	4
71	730-1138	SCREW, M8X1.25, 20MM, BHC, HE, SS	6
72	730-1154	CAP, RECESS, FHMS, SCREW, 42MM OD	1
73	730-1155	SCREW, T8-32X3.2, SET	6
74	730-1156	ASSY, ELONGATE, ADJUSTMENT, SHAFT	1
75	730-1165	PULLEY, ASSY, CABLE, DIA 114MM	2
76	730-1216	BUMPER, SHAFT 25, IDX, 48 MM	1
77	730-1252	SCREW, M10X65, BHC, SS	1
78	730-1253	SHROUD, LNL, S5100	1
79	730-1398	WSA-LNL, 180LB, 19H, SP	1
80	730-1448	STOP, BUMPER, WEIGHT, PLATE, 25, 8MM	2
81	730-1484-01	STICKER, ADJUST, FUNCTION, INSTRUCTION	1
82	730-1484-02	STICKER, ADJUST, FUNCTION, INSTRUCTION	1
83	730-1491	LABEL, INSTRUCTIONS, LOCK, W/LOAD	1
84	730-1529	KIT, REPLACEMENT, DSS, LEG, EXT, CURL	1
85	730-1730	CABLE, ASSY, IN-D1014C	1
86	730-1735	STOP, ROM, IN-D1014C	1
87	730-1907	PIVOT, PULLEY, ARM	1
88	730-2123	SCREW, M8X7.15MM, SHCS, HE, SS	1

UNISEN, INC. DBA
STAR TRAC
 14410 Myford Road
 Irvine CA 92606

STARTRAC PART NO. **9IL-D1014-13BSS** REV **B**

TITLE **IL, DSS, LEG EXT/CURL, SIDE, LNL**

SCALE: 1:16 | SHEET 2 OF 2 | SHEET SIZE: B